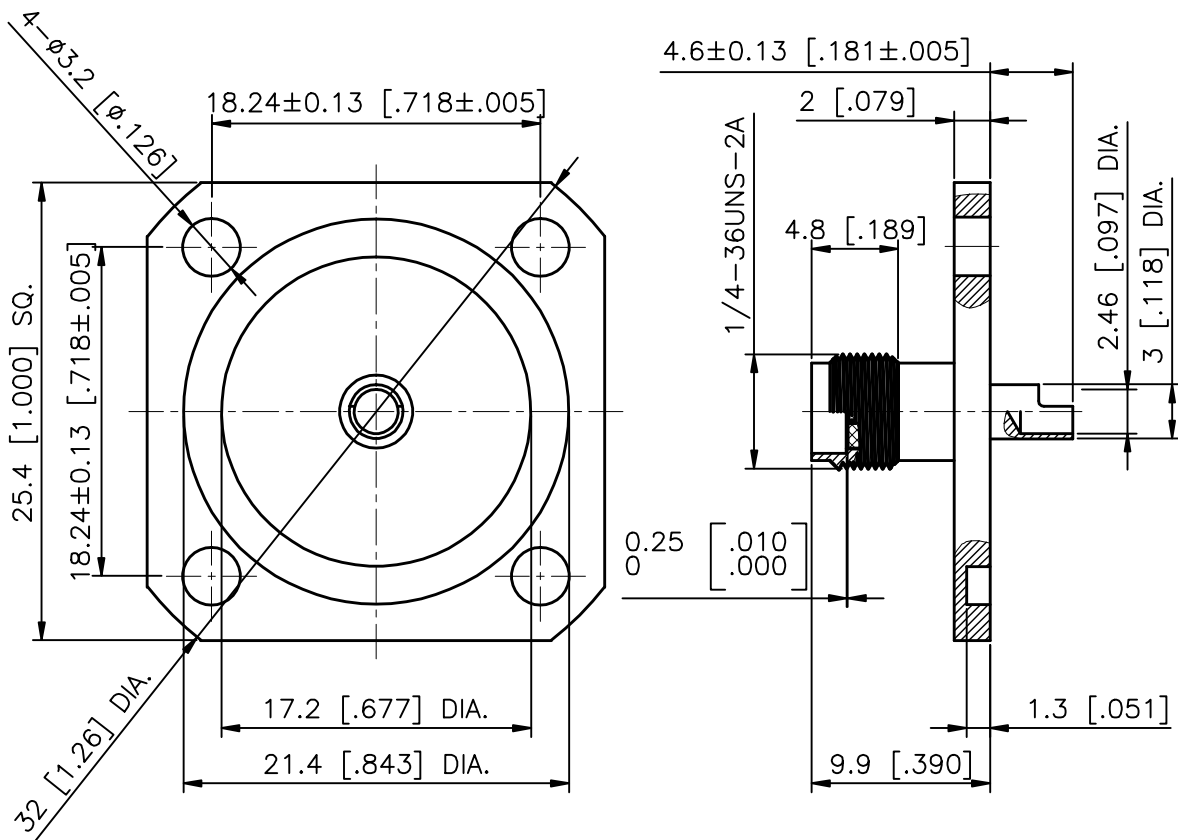


RevNo	Revision note	Date	Signature	Checked
00	Sketch only	10/08/16	Teresa	Simon

A
B
C
D
E
F



Interface Per: MIL-STD-348, IEC 60169-15

Material & Finishing:

1. Center conductor: Beryllium Copper, Gold Plating
2. Insulators: PTFE
3. Body: Brass, Gold Plating

ALL DIMENSIONS ARE IN MILLIMETERS AND [INCHES]

LIJEN, LLC from KERUI

Title
SMA female 1" flange
panel mounted receptacle
(SMA-KFD-74)

THESE DRAWING & SPEC. ARE THE PROPERTY OF LIJEN, LLC FROM KERUI AND SHALL NOT BE REPRODUCED, OR COPIED OR USED AS THE BASIS FOR THE MANUFACTURE OR SALE OF APPARATUS OR DEVICES WITHOUT THEIR EXPRESS WRITTEN CONSENT.

UNLESS OTHERWISE NOTED ALL SURFACES FINISHED TO 64/MAX.
ALL TOLERANCES ARE:
DECIMALS FRACTIONS ANGLES
x ± 1.0 ±1/64 x' ± 1'
x.x ± 0.5 x'x' ± 0.5
x.xx ± 0.1

Drawn by Teresa	Ckd by Simon	Appd by Richard	Date 10/08/2016
--------------------	-----------------	--------------------	--------------------

Scale 2.5:1	Sheet 1 of 2	10 1121 046 05
----------------	--------------	----------------

A

Electrical Data:

1. Impedance: 50 Ohms
2. Frequency Range: DC to 12.4 GHz
3. Contact Resistance: Inner Contact: 3 milliohms max.
Outer Contact: 2 milliohms max.
4. Insulation Resistance: 5000 megaohms min.
5. Dielectric Withstanding Voltage: 1000 V
6. VSWR: N/A (Uncabled receptacles, dummy loads)

B

Mechanical Data:

1. Contact Captivation: Axial force: 22 N
2. Coupling Nut Torque:
Recommended: 0.7–1.1 N.m
Max.: 1.7 N.m
3. Durability: 500 cycles

C

Environmental Data:

1. Operating Temperature Rang: -40°C up to 125°C
2. Test Categories: IEC 40/100/21
3. Relative Humidity: MIL-STD-202, Method 106
4. Thermal Shock: MIL-STD-202, Method 107, Cond. B
5. Shock: MIL-STD-202, Method 213, Cond. J
6. Vibration: MIL-STD-202, Method 204, Cond. B
7. Corrosion: MIL-STD-202, Method 101, Cond. B

D

RoHS Compliant.

E

ALL DIMENSIONS ARE IN MILLIMETERS AND [INCHES]

F

LIJEN, LLC from KERUI

Title SMA female 1" flange
panel mounted receptacle
(SMA-KFD-74)

THESE DRAWING & SPEC. ARE THE
PROPERTY OF LIJEN, LLC FROM
KERUI AND SHALL NOT BE
REPRODUCED, OR COPIED OR USED
AS THE BASIS FOR THE
MANUFACTURE OR SALE OF
APPARATUS OR DEVICES WITHOUT
THEIR EXPRESS WRITTEN CONSENT.

UNLESS OTHERWISE NOTED
ALL SURFACES FINISHED TO $64/\mu\text{MAX.}$

ALL TOLERANCES ARE:
DECIMALS FRACTIONS ANGLES
 $x \pm 1.0$ $\pm 1/64$ $x^{\circ} \pm 1'$
 $x.x \pm 0.5$ $x'x'' \pm 0.5$

Drawn by
Teresa

Ckd by
Simon

Appd by
Richard

Date
10/08/2016

Scale

Sheet 2 of 2

10 1121 046 05

1

4