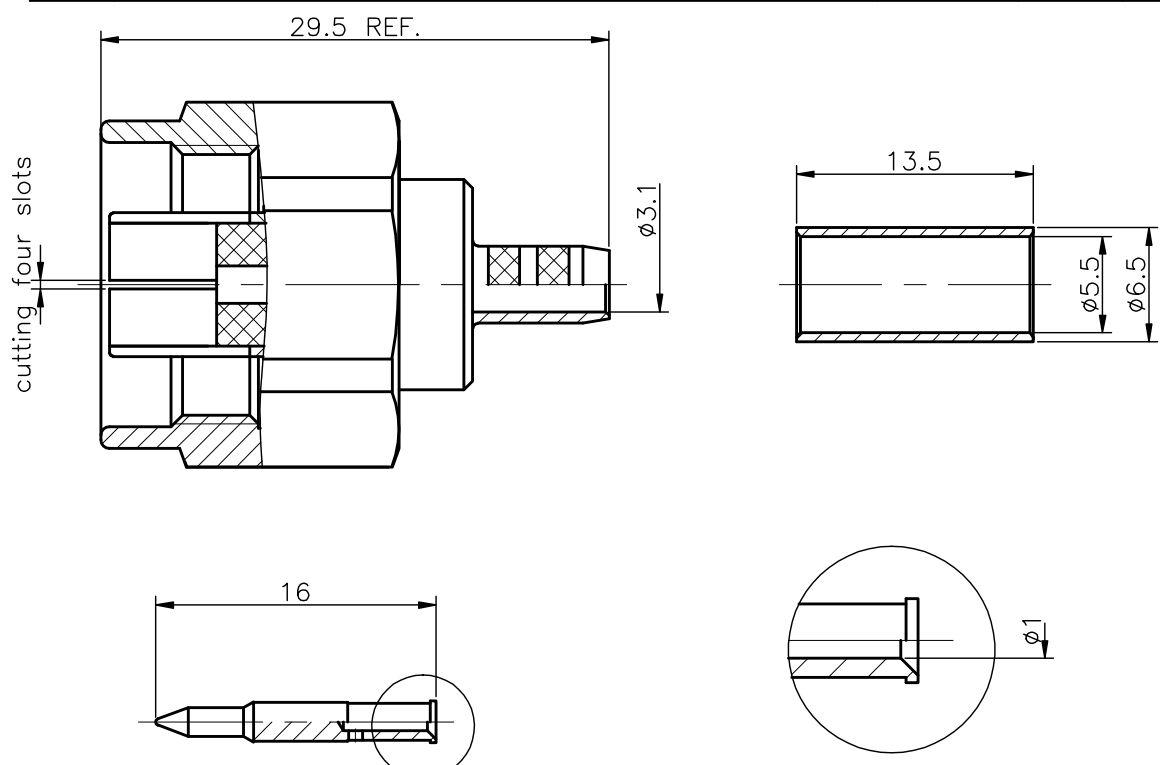


RevNo	Revision note	Date	Signature	Checked
00	Sketch Only	10/6/15	Teresa	Simon
01	Change product design structure	12/14/15	Teresa	Simon
A	Release	3/1/16	Teresa	Simon



Material & Finishing:

- Center conductor: Brass, Gold Plating
- Insulators: PTFE
- Body : Brass, Albaloy Plating
- Gasket: Silicone Rubber
- Coupling Nut: Brass, Albaloy Plating
- C'Ring: Phosphor Bronze

Electrical Data:

- Impedance: 50 Ohms
- Frequency Range: DC to 11 GHz

Mechanical Data:

- Durability: 500 cycles

Group 12 cable of KR: RG142, RG223, RG400, M17/60, M17/84, M17/128

ALL DIMENSIONS ARE IN MILLIMETERS AND [INCHES]

LIJEN, LLC from KERUI

Title
N male crimp cable connector
for group 12 cable
(N-JC12)

THESE DRAWING & SPEC. ARE THE PROPERTY OF LIJEN, LLC FROM KERUI AND SHALL NOT BE REPRODUCED, OR COPIED OR USED AS THE BASIS FOR THE MANUFACTURE OR SALE OF APPARATUS OR DEVICES WITHOUT THEIR EXPRESS WRITTEN CONSENT.

UNLESS OTHERWISE NOTED ALL SURFACES FINISHED TO 64/MAX.
ALL TOLERANCES ARE:
DECIMALS FRACTIONS ANGLES
x ± 1.0 ±1/64 x' ± 1'
x.x ± 0.5 x'x' ± 0.5
x.xx ± 0.1

Drawn by Teresa	Ckd by Simon	Appd by Richard	Date 3/1/2016
--------------------	-----------------	--------------------	------------------

Scale 2.5:1	Sheet 2 of 1	80 1111 112 11
----------------	--------------	----------------